

FF-L-2890C

GSA APPROVED

Type IX - Push Pull Exit Only Model with LOCAL ALARM (NEW)

Type X - Panic Bar Exit Only Model with LOCAL ALARM (NEW)

Compliance & Certifications

FF-L-2890C

GSA Approved

U.L. Fire Rated

NFPA 80 & 101 Life Safety

Grade 1



Exit Models with Local Alarm

Types IX & X

The LockOne® Lock Series Exit Models are designed for secondary doors to regulate the flow of traffic into rooms with multiple entrances, while always providing single motion egress. The local alarm is self-contained and activates when the door is opened. The alarm will sound until it is disabled by the key.

BENEFITS

Interchangeable - You can install the LockOne™ Lock Series in your facility to maintain a consistent look as exterior trim has not changed.

Field Tested - With thousands of LKM10Ks in use today the improvements we have made will exceed your expectations.

Ease of Operation - The internal linear bearing allows for easy entry and exit even with heavy loads applied to the door.

Local Alarm - By being integrated into the LKM10K device this eliminates the need for any additional local alarming device and switch to be installed on the door and frame.

Battery Operated - No hard wiring required. Powered by one 9v lithium battery, with a low battery sensor.

TYPES

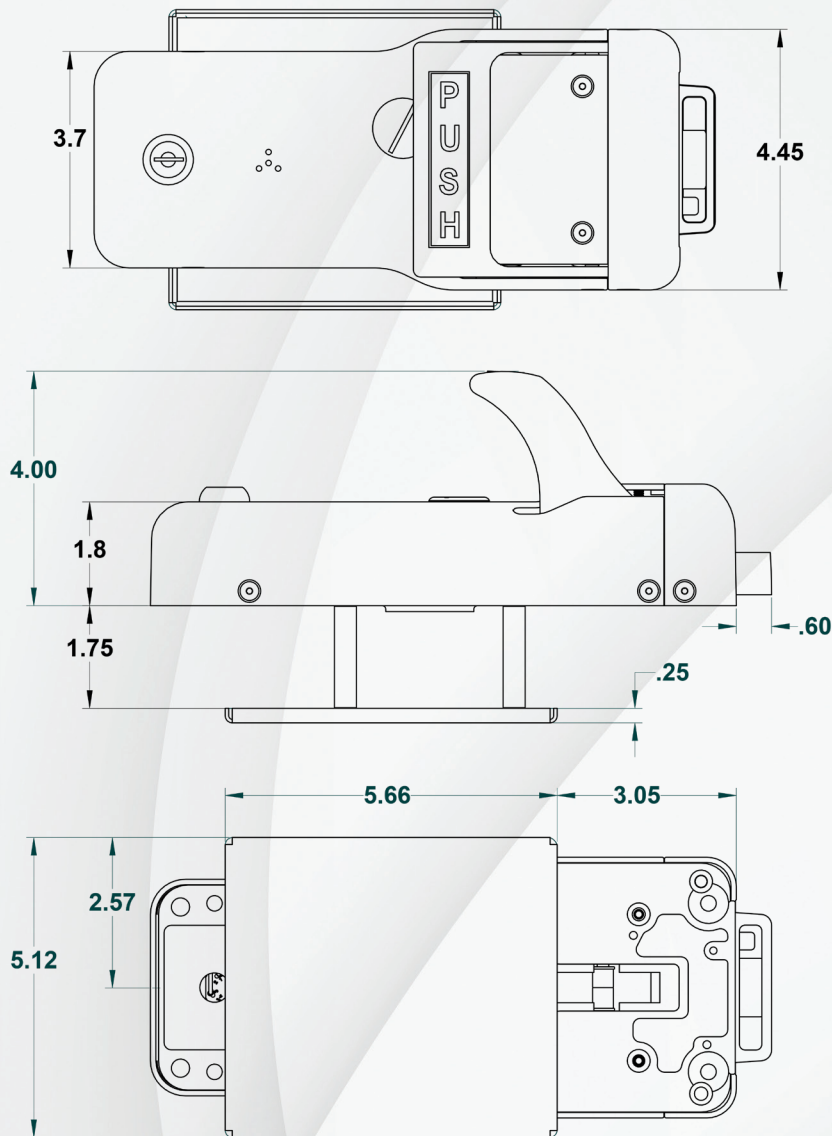
Type IX - Push Pull Model

Type X - Panic Bar Model

Providing **Life Safety**
and **High Security**

LKM10K
High Security Life Safety Exit Device

Type IX - Push Pull Handle Exit Model



Specifications

Materials

Lock Housing - Stainless Steel
Finish - Stainless Steel & Black Powder Coat

Stainless Steel Deadbolt

Deadlocking, 7/16" throw
Encapsulated

Door Thickness

Minimum 1-1/8" - 2"; Maximum 2 5/8"

Door Types

Single or Double opening
Inswing (Push Pull)
Outswing (Push Pull & Panic Bar)
Hollow Metal or Wood
Metal or Wood Frames

Handing

Non-handed

Monitoring Switches

Deadbolt Switch - monitors the Pedestrian Device
Bolt (Request to Exit - REX)

Alarm

90 db piezo alarm

Strike Test

A 6,000 lb force was applied to each type of strike in the direction of the door swing.

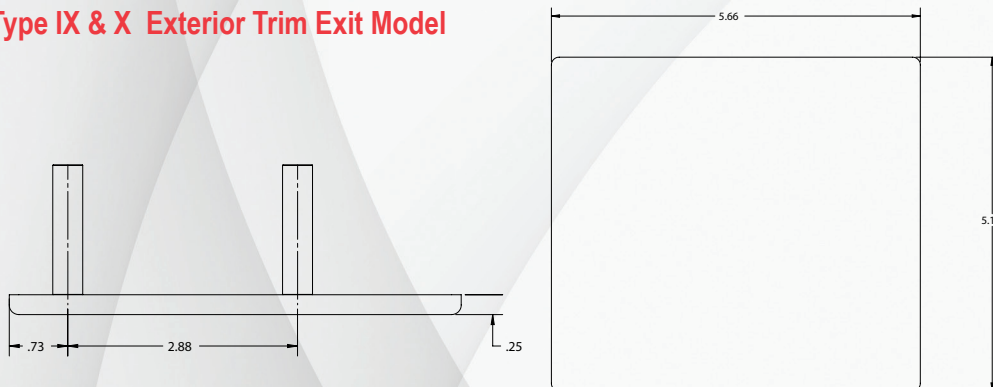
Fire Rating

All LKM10K models are UL Listed - 90 minute rated. This rating is in accordance with the Standard, "Positive Pressure Fire Test of Door Assemblies", ANSI/UL 10C, UBC 7-2 (1997).

Warranty

2 year from date of manufacture

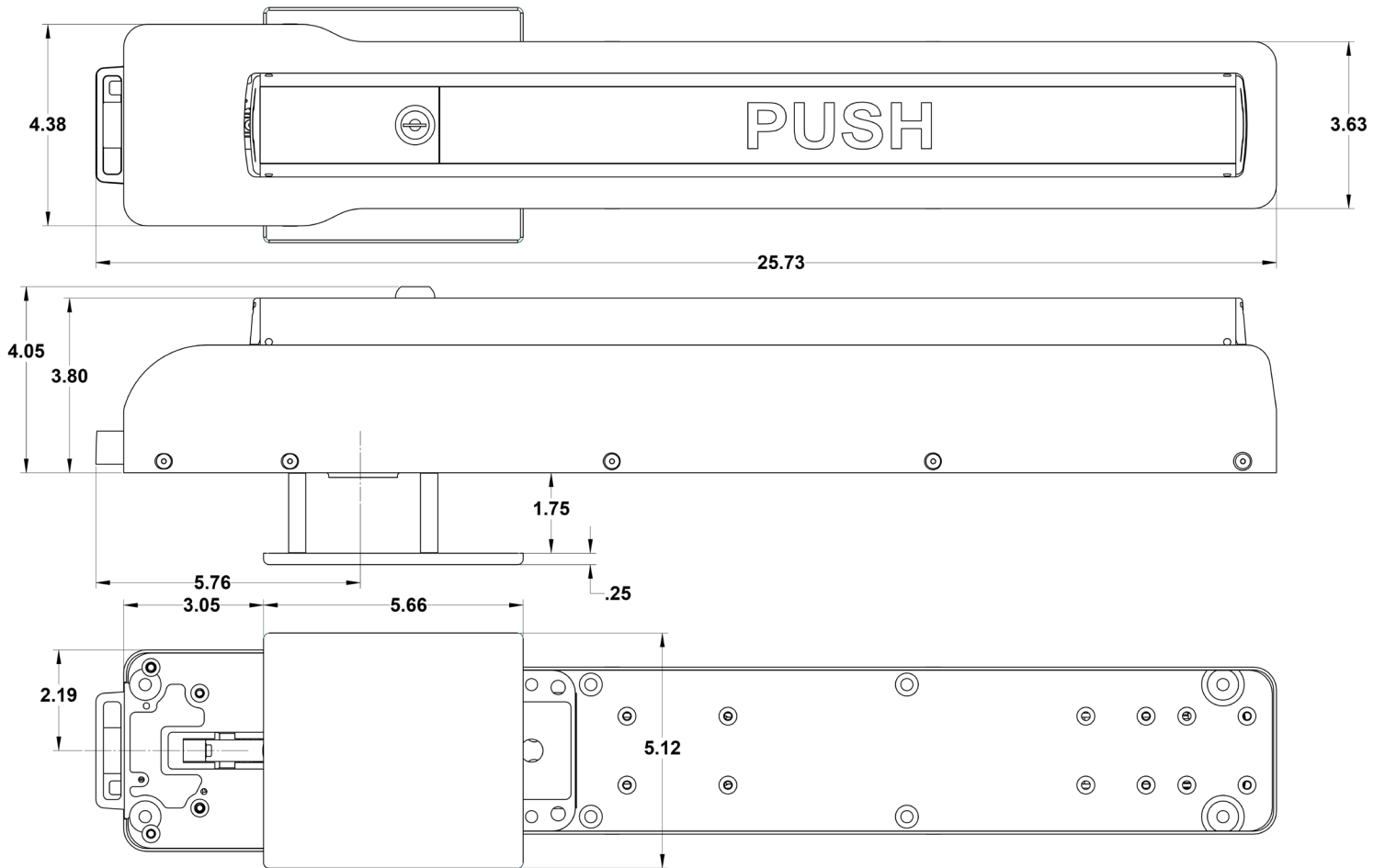
Type IX & X Exterior Trim Exit Model



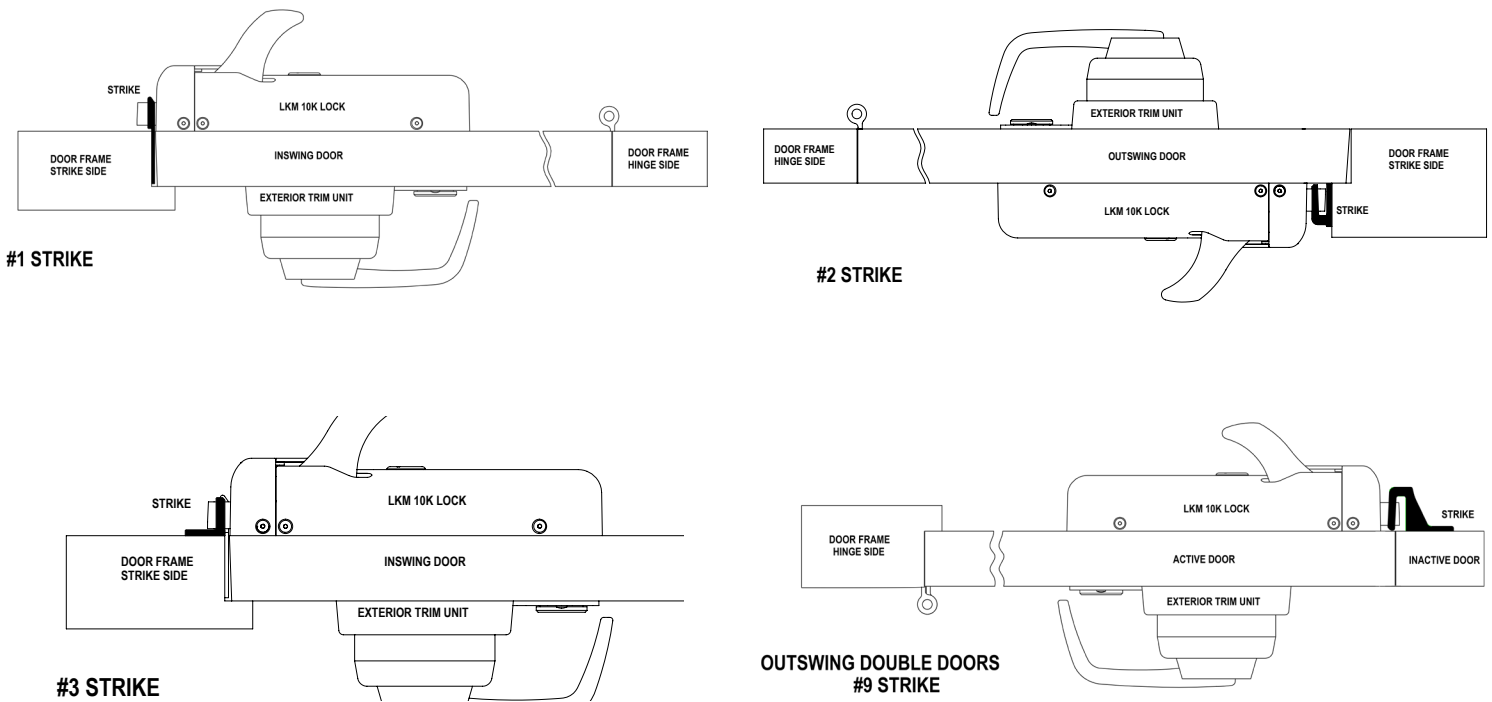
Providing **Life Safety**
and **High Security**

LKM10K
High Security Life Safety Exit Device

Type X - Panic Bar Exit Model



Exclusive Adjustable Stainless Steel Strikes



Exit Only Models Part Numbers - Types IX & X

Part Number	Type/Model	Door Application	Lock Options	Access Control	Strike Options
Type IX - Push Pull Exit Only Model with Alarm					
LKM10KHEALKS01	Type IX - Push Pull Exit Only Model with Alarm	Primary Door For Use with Inswing Door	N/A	N/A	1
LKM10KHEALKS02	Type IX - Push Pull Exit Only Model with Alarm	Primary Door For Use with Outswing Door	N/A	N/A	2
LKM10KHEALKS03	Type IX - Push Pull Exit Only Model with Alarm	Primary Door For Use with Inswing Metal Frame Door	N/A	N/A	3
LKM10KHEALKS09	Type IX - Push Pull Exit Only Model with Alarm	Primary Door For Use with Pair of Doors	N/A	N/A	9
Type X - Panic Bar Exit Only Model with Alarm					
LKM10KPEALKS2	Type X - Panic Bar Exit Only Model with Alarm	Primary Door For Use with Outswing Door	N/A	N/A	2
LKM10KPEALKS9	Type X - Panic Bar Exit Only Model with Alarm	Primary Door For Use with Pair of Doors	N/A	N/A	9

LOCKMASTERS[®]
I N C O R P O R A T E D

2101 John C. Watts Drive
Nicholasville, Kentucky 40356
800.654.0637
www.lockmasters.com