



SARGENT AND GREENLEAF®

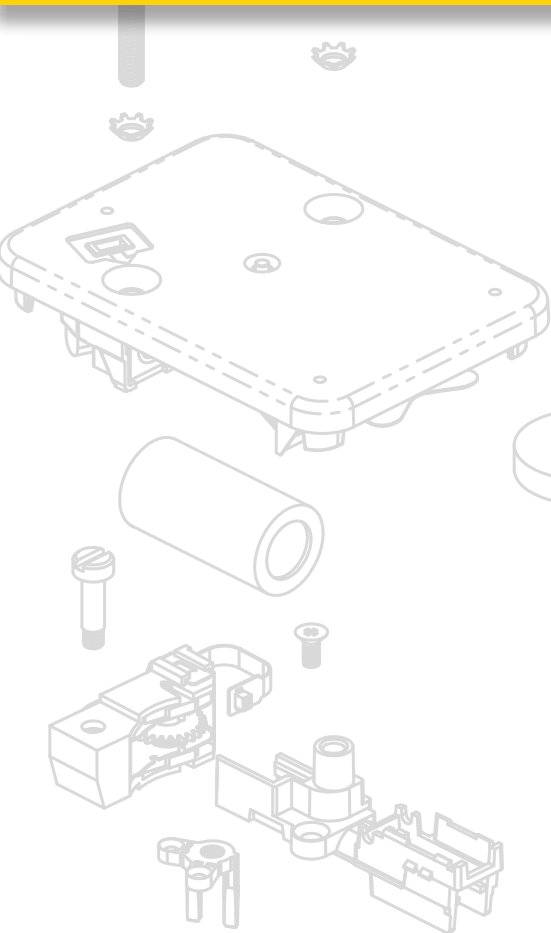
Trust | Reliability | Quality | Innovation



2740B

GSA Approved High-Security Lock





“Finally, there’s an alternative to the foreign-owned Kaba Mas X-0 series locks. Bravo, S&G. Bravo!”

For nearly two decades, facilities security officers (FSOs) had been limited to only one GSA approved, high-security combination lock that met the stringent lock mandates of Federal Specification FF-L-2740. But today, thanks to a team of innovative American engineers, there’s a choice. The Sargent & Greenleaf Model 2740B has passed all the rigorous tests spelled out in Federal Specification FF-L-2740B, and has been placed on the Federal Qualified Products List, having been deemed appropriate for safes, security files, vault doors, and similar items; and intended for the protection of national security information.

By eliminating the need for cables outside the safe, the S&G 2740B represents a significant step forward in both innovation and security. Engineered and manufactured to meet the highest security standards of the U.S. Government, the S&G 2740B provides instant, reliable power up, replacing the antiquated “dial generated” power source used on the Swiss-owned Kaba® Mas X-0™ series locks. And because the S&G 2740B is powered by common lithium power cells, with a projected life of 10+ years, you simply replace the batteries to extend the lock’s life, rather than replace the entire mechanism. S&G will even provide the batteries for free. The result is both enhanced long-term security and lower cost of ownership.



2740B

Sargent & Greenleaf has set the bar for quality, value and technical innovation for over 150 years.

A domestic provider for domestic security. Located in Nicholasville, Kentucky, Sargent & Greenleaf (S&G), a subsidiary of Stanley Black & Decker, has been protecting the assets of banks, businesses and governments since 1857. As an American owned company, we take great pride assisting U.S. Government agencies, the military, and their contractors in their efforts to protect classified materials and maintain the highest level of domestic security. The S&G 2740B has been designed to deliver the performance security officers demand.

- Meets Federal Specification FF-L-2740B
- GSA approved alternative to all Kaba® Mas X-0™ series locks
- GSA approved for use on new and existing GSA containers
- Easier installation: fewer parts, no delicate ribbon cables
- Enhanced security: the 2740B design eliminates electronics outside the container
- High reliability: precision motor and drivetrain technology
- Two year warranty
- Easy read: high contrast, bright white laser-etched dial number markings
- Instant power up: no need to dial multiple times to power
- Extra long-life power cell technology, with a projected battery life of 10+ years means years of service and easy maintenance
- Spy-Proof® dial: delivers operator-only visibility
- Rugged construction: lock withstands 600 pounds of end and side load force
- Around-the-clock emergency technical support: 1 (866) 799-0081



Feature-for-feature, the S&G 2740B blends classic design and cutting edge technology to deliver outstanding performance!

| | S&G 2740B | Kaba Mas X-10 |
|-----------------------------|---|--|
| Specification Qualification | Meets Federal Specification FF-L-2740B | Meets Federal Specification FF-L-2740B |
| Power Source | Battery-powered, using commonly-available, long-lasting batteries | Self-powered with energy diminishing super -cap components |
| Power Generation | Powers up instantly | Spin dial for power |
| Replacement | Replace only batteries | Replace lock cover or entire lock system |
| Installation | Simple: No external cables required | Difficult: Requires delicate ribbon cables to run from outside the container to lock inside container |
| Company Ownership | American owned | Foreign – not American ownership |
| Display | Easy-to-read, high contrast, laser-etched numerals and index marks | Polarized LCD screen: hard to read in dimly-lit areas |
| Warning System | 100 low battery indications, plus available battery back up to power lock | Provides no warning prior to lock failure |
| Warranty | Two year warranty | One year warranty |
| Service | Backed by S&G 24/7 live service support: 1 (866) 799-0081 | |



SARGENT AND GREENLEAF®

Trust | Reliability | Quality | Innovation



2740B

GSA Approved High-Security Lock



Scan to learn more.